

medifa

Member of REINSBERG® GROUP



Derma⁺

info@dermat.be

www.dermat.be



medifa 7000

Mobile
Operating Tables

Made in Germany

www.medifa.com

we care.

Advantages at a glance

- With up to three electrical driven joints
- Height adjustment from 600 mm up to 1,120 mm
- Motorised drive by means of fifth castor can be integrated
- Electrical leg rest adjustment, single or parallel
- Longitudinal sliding of the table top
- Battery operated back up system can be integrated
- Optimal decubitus prevention due to 80 mm strong upholsteries
- Optimal cleaning and disinfection conditions
- User-friendly control concept
- Suitable for numerous applications and patient positionings
- Suitable for x-ray and c-arm applications
- Wide range of accessories for all surgical disciplines
- Maximum permissible overall load up to 544 kg (1,200 lbs)



Functionality and ergonomics



Motorised drive

- The motorised drive facilitates the positioning of the operating table before and after the surgery (optional, art.-no. 70645)
- Alternatively, electrically switchable directional castor, art.-no. 70650



Quick and easy handling

- Special coupling points ensure quick and easy locking of the attachment segments and provide an ergonomic workflow



Hygiene and comfort

- Fixing and removing of upholstery elements by means of pin system
- Particularly hygienic and easy to clean (no Velcro fastenings)
- Viscoelastic SF upholstery (H= 80 mm) combines penetration protection and pressure relief
- Electrically conductive and radiolucent



Electrical leg rest adjustment

- Enables careful and variable positioning of the patient
- Single or parallel adjustment of leg rests from -90° up to +80°
- Function also applicable for electrical adjustment of back rest in reverse positioning of patient (perfect for shoulder arthroscopy)



Split leg plate with access extension

- Split leg plate with access extension
- Allows optimal accessibility for the surgeon Swivels out
- Enough space for ergonomic working posture and improved access to the patient
- Easy coupling and uncoupling at the pelvic part set
- optional, art.-no. 71620

Control concept



- Colour display with battery indicator
- Break/Release of stabilization cylinder
- Reverse-Mode
- 5. wheel up / down
- Positioning keys
- Activation of hand switch
- Stop-Key
- Leveling

1. Standard: Backlit hand switch with integrated colour display and battery indicator (optional: additional wireless infrared remote control, art.-no. 704070, not retrofittable)
2. Standard: Additional control unit at the column
3. Optional: Back-up system that ensures functionality of operating table's brake and basic functions in case of an electronic defect (optional, art.-no. 70655, not retrofittable)
4. Optional: Foot switch for height, lateral and Trendelenburg adjustment (art.-no. 704060) (Standard preparation)





Configuration example

Art.-no. 700200
Mobile electric operating table

Art.-no. 70650
Electrically switchable directional roller

Art.-no. 71144
Head rest

Art.-no. 71250_2
Upper back rest

Art.-no. 71615
Divided leg rests

Art.-no. 61225
Arm rest

Price on request!

Specialities

- Bariatric Surgery
- Orthopaedics
- ENT
- Ophthalmology
- Gynaecology
- Urology

Mobile Operating Table Art.-no 700200

- Height adjustment from 600 to 1,100 mm
- Trendelenburg adjustment from -30° up to +30°
- Lateral tilt up to 20°
- Back rest adjustment from -45° up to +90°
- Single or parallel electrical adjustment of leg rests from -90° to +90°
- Electric longitudinal sliding of the table top up to 380 mm
- Possibility of reverse mode
- Flex / Reflex position by hand switch and control unit at column
- Automatic simultaneous leveling of lying surface
- Hand switch and control unit at column for electric adjustments
- Floor locking by 4 extendible stabilization cylinders between the double swivel castors
- Viscoelastic SF upholsteries with memory effect, h = 80 mm, electrically conductive, detachable, radiolucent
- Exchangeable back section segments
- Maximum permissible overall load: 544 kg (1,200 lbs)

Further models:

Art.-no. 700300
Additionally with electrical adjustment of upper back rest and kidney bridge



- Height adjustment from 600 up to 1,120 mm
- Possibility of patient positioning in reverse mode
- Large X-ray areas in the lying surface guarantee optimal use of C-arms

Models

Positioning examples



	Range	700200	700300
Height adjustment	600 - 1,120 mm	●	●
Trendelenburg	-30° / +30°	●	●
Lateral tilt	-20° / +20°	●	●
Lower back rest adjustment	-45° / +90°	●	●
Upper back rest adjustment	-90° / +90°		●
Kidney bridge	120 mm		●
Flexion		●	●
Longitudinal sliding	up to 380 mm	◆	◆
Leg rest adjustment	-90° / +90°	●	●
Single leg rest adjustment	-90° / +90°	●	●
Simultaneous leveling		●	●
Electronic drive (70645)		◆	◆
Central brake (Stabilization cylinder)		●	●
Maximum permissible overall load		544 kg	544 kg

● Electric ◆ Optional



Thoracic and kidney surgery
with head ring, arm rests, body supports and leg positioning tunnel



Gallbladder surgery
with anaesthesia screen, arm restraint cuff, bottom roll and heel pads



Spinal surgery
with rectal positioning device, rectoscopy roll, arm rests and head positioning pad



Urology and gynaecology
with leg rests and head positioning pad

Positioning examples



ENT and Ophthalmology
with foot switch, horseshoe shaped head rest with joint arm, bottom roll and heel pads



Minimally invasive surgery
with head positioning pad, arm rests, leg straps, heel pads and foot plates



Shoulder arthroscopy
with tripartite back rest, head support, arm rest and heel pads



Knee arthroscopy
with head ring, arm rest, knee positioning device and heel pads



Neurosurgery
with bottom roll, arm rests, head positioning pads and skull clamp system



Gastric banding
with head ring, arm rests and heel pads

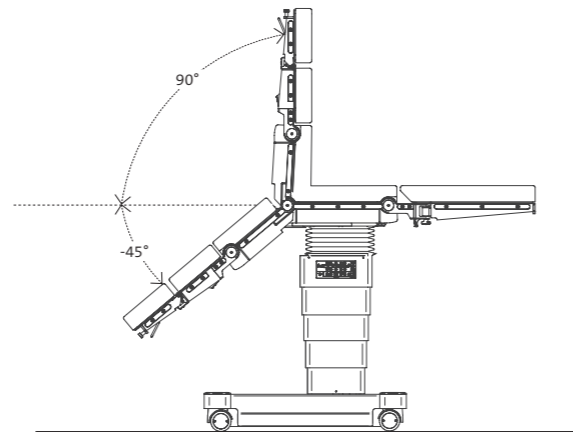
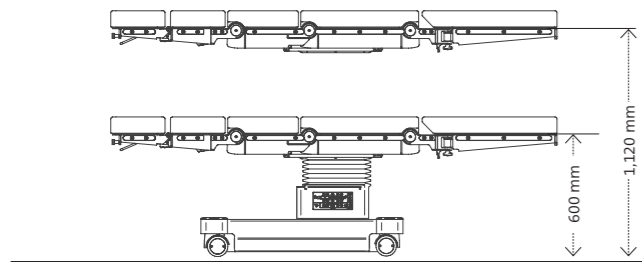
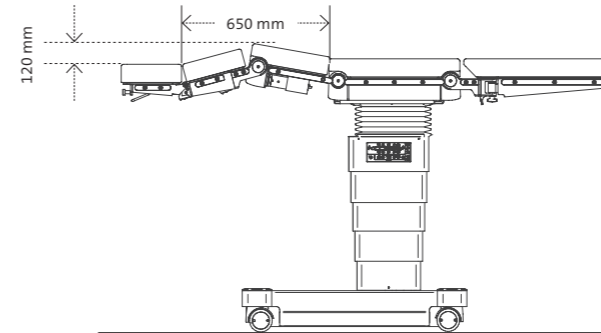
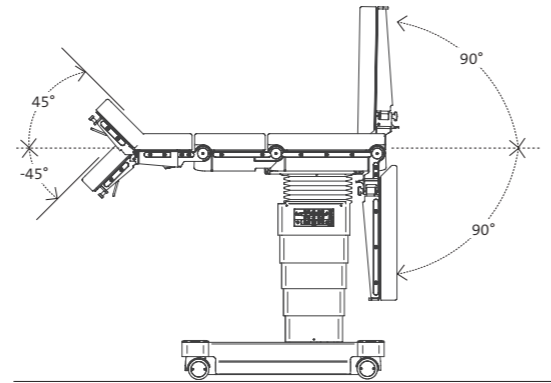
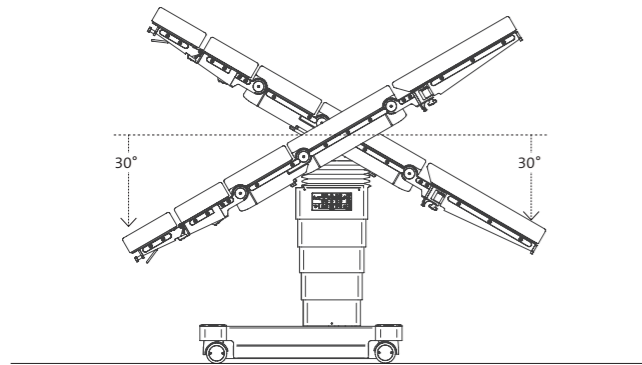


Orthopaedics
with extension device and head ring

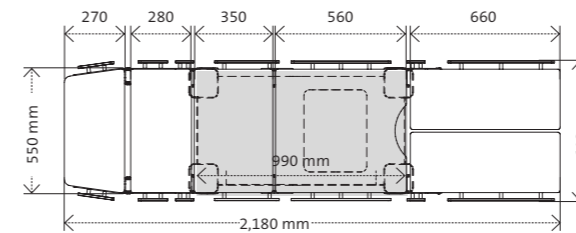


Arm and hand surgery
with arm extension device and Weinberger hand cuff

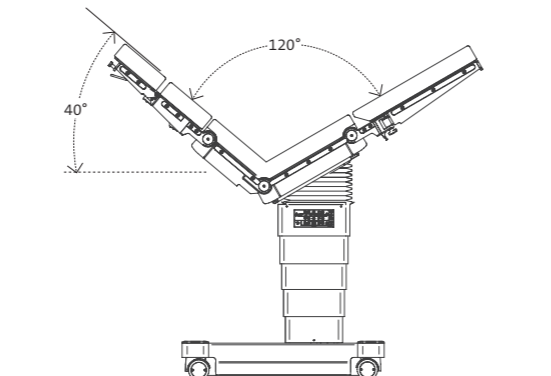
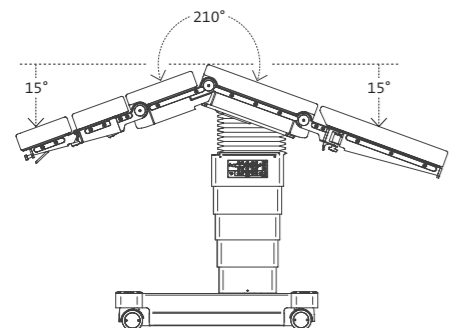
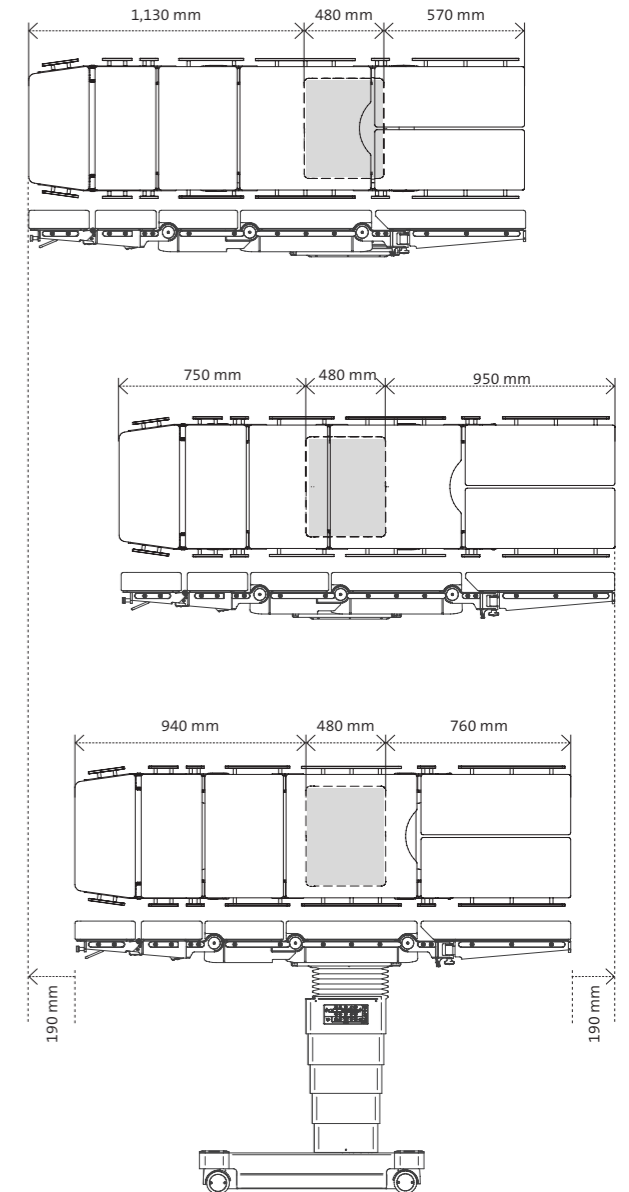
Technical information



Ground plan



Longitudinal sliding of table top



Configuration



Accessories for medifa 7000



Foot switch for medifa 7000
Art.-no. 704060

- Additional control unit to adjust the main functions height, lateral and Trendelenburg movement
- Tethered



Infrared remote control for medifa 7000
Art.-no. 704070

- Wireless data transfer
- Control panel for all electric functions of operating table
- Incl. charging station



Motorised drive
Art.-no. 70645

- Motorised fifth castor for manoeuvring and positioning of operating table
- Cannot be retrofitted!



Electrically switchable directional castor (5th wheel)
Art.-no. 70650

- For comfortable straight-line movement when maneuvering the operating table



Back-up system for medifa 7000
Art.-no. 70655

- System ensures the operability of operating table's basic functions (height, lateral, Trendelenburg and brakes) in case of electronic defect by means of 24V battery
- Cannot be retrofitted!



Radiographic cassette tunnel for 700200
Art.-no. 71642_2

- To insert radiographic cassette carrier

Radiographic cassette tunnel for 700300
Art.-no. 71642_3

- To insert radiographic cassette carrier

Accessories for medifa 7000



Coupling point for extension device 63000_2

Art.-no. 63005_1

- For attachment of extension device, for operating tables of series 7000 **without** sliding

Coupling point for extension device 63000_2

Art.-no. 63005_2

- Same as 63005_1, but for operating tables of series 7000 **with** sliding



Head rest for medifa 7000

Art.-no. 71144

- Easy adjustment by means of gas spring from -45° to +45°
- Docking and undocking at back rest
- Radiolucent
- L x W: 266 x 550 mm
- Viscoelastic SF upholstery, H = 80 mm, electrically conductive, detachable



Head rest for medifa 7000

Art.-no. 71146

- Easy adjustment by means of gas spring from -45° to +45°
- Double joint enables additional tilting
- Docking and undocking at back rest
- Radiolucent
- L x W: 266 x 550 mm
- Viscoelastic SF upholstery, H = 80 mm, electrically conductive, detachable



Head rest for medifa 7000

Art.-no. 71147

- Easy adjustment from -90° to +90°
- Double joint enables additional tilting
- Docking and undocking at back rest
- Radiolucent
- Incl. Side rails
- L x W: 266 x 550 mm
- Viscoelastic SF upholstery, H = 80 mm, electrically conductive, detachable



Head-end rail

Art.-no. 71148

- Additional rail at head rest
- Length: 300 mm
- Material: Stainless steel
- Suitable for: 71144, 71146
- Piece

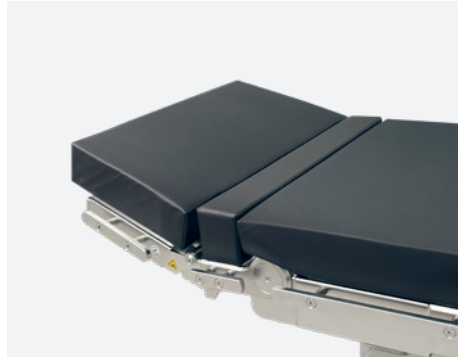


Side rails at head rest

Art.-no. 71149

- Additional side rails at both sides of head rest
- Length: 160 mm
- Material: Stainless steel
- Suitable for: 71144, 71146
- Pair

Accessories for medifa 7000



Upholstery for covering coupling point for medifa 7000

Art.-no. 71610

- To cover the coupling points when using the medifa 7000 without back plate (71250_2)



Upper back rest for medifa 7000

Art.-no. 71250_2

- Docking and undocking at lower back rest
- Radiolucent
- L x W: 268 x 550 mm
- Viscoelastic SF upholstery, H = 80 mm, electrically conductive, detachable
- Integrated side rails (EU)



Tripartite back rest for medifa 7000

Art.-no. 71390

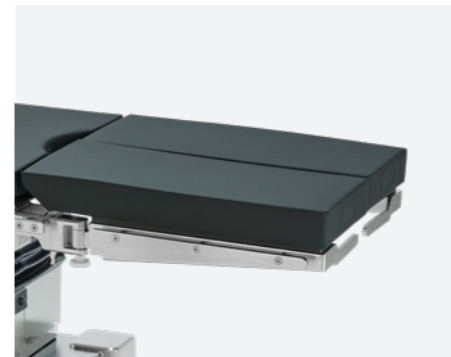
- Incl. head rest
- Easy access to shoulder area by means of three detachable segments
- Easy coupling and uncoupling on upper back plate 71250_2 in reverse orientation
- Radiolucent
- L x W: 320 x 550 mm
- Viscoelastic SF upholsteries, H = 80 mm, electrically conductive, detachable
- ATTENTION: 71250_2 mandatory additionally required



Pelvis section extension for medifa 7000

Art.-no. 71125_2

- Extension of pelvis section by 400 mm
- With cut-out
- Radiolucent
- L x W: 400 x 550 mm
- Viscoelastic SF upholstery, H = 80 mm, electrically conductive, detachable
- Integrated side rails (EU)



Divided leg rest for medifa 7000 (pair)

Art.-no. 71615_2

- Electrically adjustable
- Swivelling up to 180°
- Docking and undocking at pelvis section
- Radiolucent
- L x W: each 660 x 266 mm
- Viscoelastic SF upholsteries, H = 80 mm, electrically conductive, detachable
- Integrated side rails (EU)



Leg rest with access extension for medifa 7000 (pair)

Art.-no. 71620

- Electrically adjustable
- Swivels out for direct patient access
- Docking and undocking at pelvis section
- Radiolucent
- L x W: each 740 x 266 mm
- Viscoelastic SF upholsteries, H = 80 mm, electrically conductive, detachable
- Integrated side rails (EU)

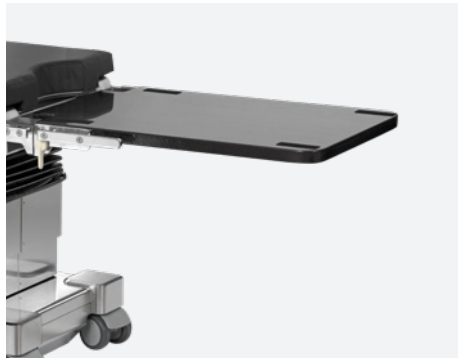
Accessories for medifa 7000



Double divided leg rest for medifa 7000 (pair)

Art.-no. 71660

- Electrically adjustable
- Swivelling up to 180° and bendable
- Docking and undocking at pelvis section
- Radiolucent
- L x W: each 662 x 266 mm
- Viscoelastic SF upholsteries, H = 80 mm, electrically conductive, detachable



Carbon positioning rest for medifa 7000

Art.-no. 71630

- Incl. upholstery
- For intraoperative x-ray, optimal radiolucency (360°)
- Docking and undocking at pelvis section or lower back rest
- L x W: 750 x 540 mm
- Viscoelastic SF upholstery, H = 70 mm, electrically conductive, detachable



Transfer leg rest for medifa 7000

Art.-no. 71635

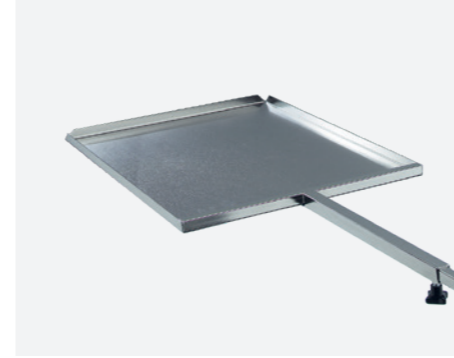
- For short-time positioning of legs
- Docking and undocking at pelvis section
- Radiolucent
- L x W: 900 x 500 mm



Extension segments (pair)

Art.-no. 61355SF

- For extension of the operating table's lying surface
- Integrated side rails (EU)
- L x W: each 310 x 110 mm
- Viscoelastic SF upholsteries, H = 70 mm, electrically conductive, detachable
- Suitable for all operating tables with viscoelastic foam upholsteries



Radiographic cassette carrier for medifa 7000

Art.-no. 71643

- To insert radiographic cassettes under table top of operating table
- With telescopic rod
- L x W x H: 470 x 385 x 16 mm
- Suitable for radiographic cassettes with dimensions 14" x 17" (US)
- Material: Stainless steel
- Suitable for: 71642_2, 71642_3

Additional accessories

A wide range of optional accessories complements the application spectrum of our operating tables.

For central storage of accessories we offer a trolley (art.-no. 341045) made of polished stainless steel.

Further accessories can be found in our brochure "Accessories for operating tables".



Competence around operating rooms

As a leading international manufacturer of medical products, medifa GmbH offers innovative products and solutions for operating rooms, mobile hybrid operating systems and other areas in hospitals or outpatient surgical centers. The big product portfolio includes mobile operating tables and operating accessories, mobile carbon operating tables, operating lights, as well as examination and treatment chairs.

The medifa GmbH is a company of the Reinsberg Group, a leading and globally active European manufacturer of medical products and solutions for hospitals.

The development, construction and production of medifa products take place in Germany. With a large share of added value in the company group, medifa guarantees its customers fast response times and high quality "Made in Germany" in accordance with certified national and international quality standards. medifa consistently focuses on the current and future requirements of its customers. In line with the slogan "we care", customers from all over the world can rely on top-class consultation, processing and quality from a single source.

Products

- Operating lights (medifa H!Light)
- Mobile operating tables
- Mobile carbon operating tables for minimal invasive applications
- Accessories for operating tables and lights
- Examination and treatment chairs (gynecology, urology and proctology)
- Medical functional furniture

medifa worldwide



medifa

Member of REINSBERG® GROUP



medifa GmbH

Industriestraße 5
57413 Finnentrop
Germany
fon +49 2721 71 77 -0
fax +49 2721 71 77 -255
www.medifa.com
info@medifa.com

Version 01-24-EN

Subject to modifications due to technical development.

This document is intended to provide information to an international audience outside of the US.



Made in Germany

www.medifa.com

we care.